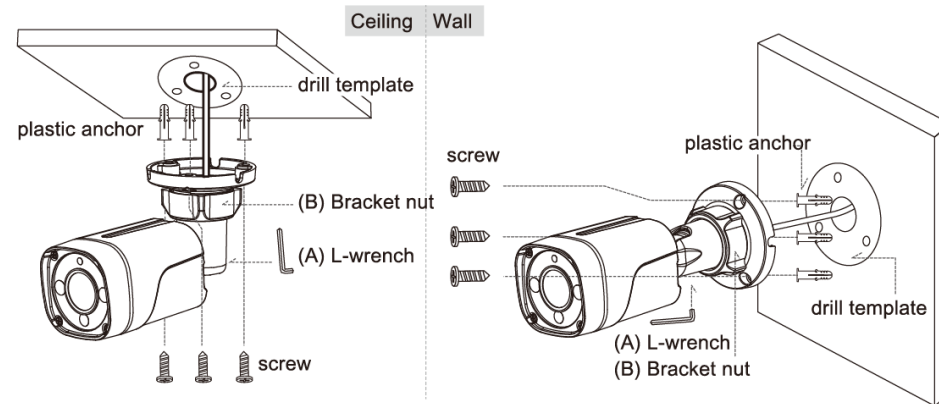




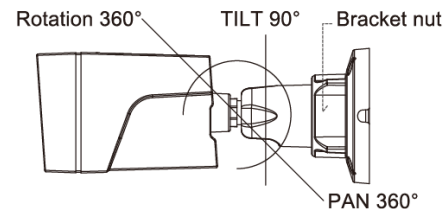
TVI + Starvis

IP67 Easy Ceiling Wall Outdoor IR 02

Resolution	1080P, 720P
Lens	Fixed lens 3.6mm, 4mm, 6mm
Sensor	1/2.8 inch SONY CMOS (IMX-291)
Pixels	Total : 1945(H) x 1109(V) = 2.16M / Effective : 1945(H) X 1097(V) = 2.13M
Scanning System	PROGRESSIVE
S/N (Y signal)	More than 52 dB (AGC Off)
Video Output	TVI, AHD, CVI, CVBS: 1.0Vp-p (75ohm) : Option
Min.Illumination	0 Lux at IR On (IR LED 02)
White Balance	Auto / Auto Ext / Preset / Manual
Electronic shutter speed	AUTO / MANUAL (1/30sec ~ 1/30,000sec) / FLICKER
Function	DNR / ACE / WDR / BLC / HLC / Sens_up / Privacy / Flip / Motion / Defog / RS-485 / Sharpness / Smart IR / Brightness
Day & Night	AUTO (Day <-> Night TIME Change) , COLOR , B/W, EXTERN
Language	ENG, CHN, CHN(S), JPN, KOR
Temperature/Humidity	Operating (-10°C~+50°C / 30%~80% RH) / Storage (-20°C~+60°C / 20%~90% RH)
Power	DC12V [AC24V / DC12V DualPower (option)]
signal Transmission	The distant difference is occurred according to cable option and other circumstances.



- ① Place the drill template on the right position on the ceiling or wall and make a hole with drill.
- ② Insert a plastic anchor in the hole.
- ③ Place an camera brackets on the template and fix it with screws.
- ④ Fix the camera with cameras assembly screws and control the (A) and (B) to point the right view.



- Pan : 360°
 - Tilt : 90°
 - Rotation : 360°
- a. Panning 360° : You can control 360° around from the camera center.
 - b. Tilting 90° : Tilt camera at the right position. Control angle is up to 90°
 - c. Rotation 360° : Lens can be moved 360°

